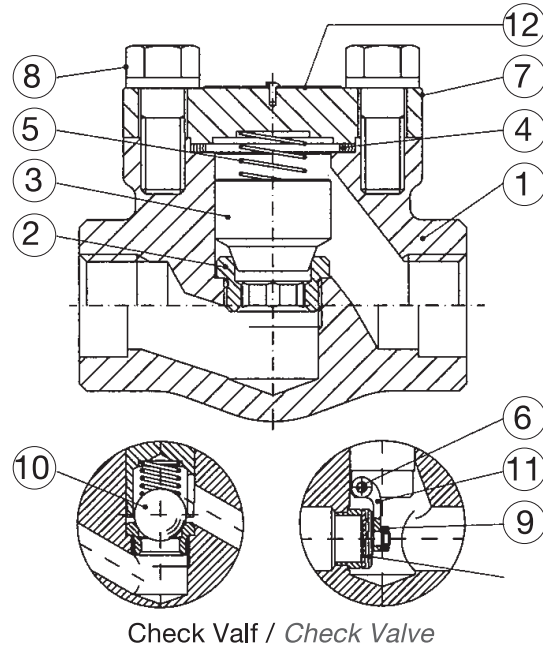
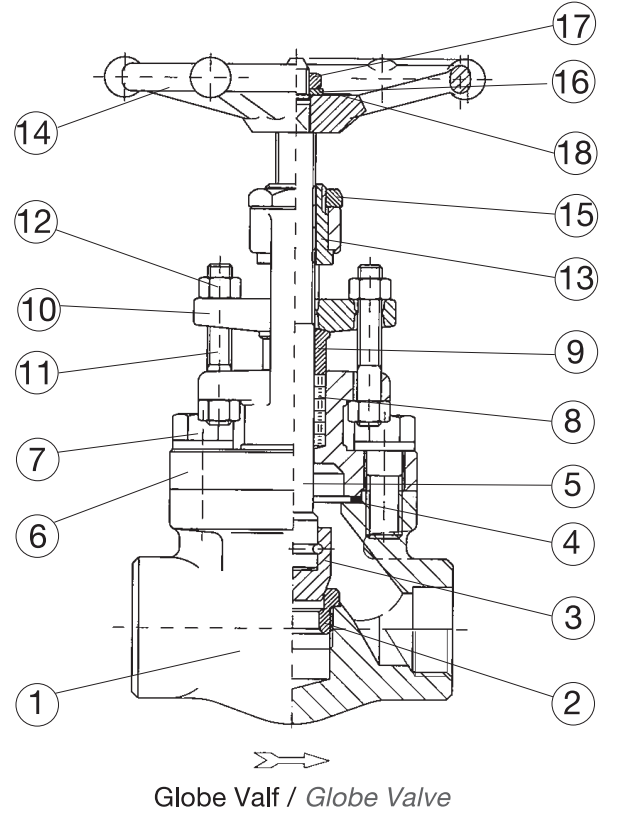
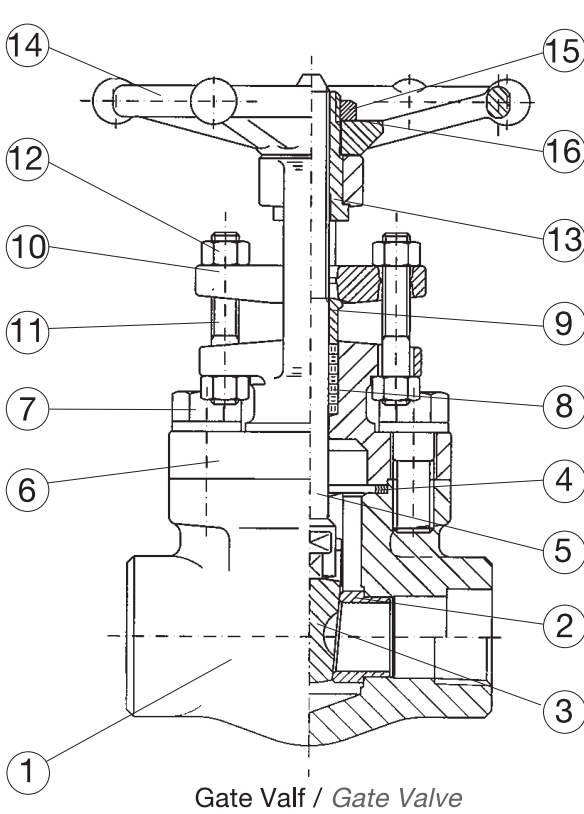




GELİŞİM®



DÖVME ÇELİK ve ÖZEL VANALAR
FORGED STEEL and SPECIAL VALVES


Çalışma Şartları / Rating (bar)

Malzeme Material	CLASS 150	CLASS 300	CLASS 600	CLASS 800	CLASS 900	CLASS 1500	CLASS 2500
A105	-29° C / 19.6	-29° C / 51.1	-29° C / 102.1	-29° C / 136.2	-29° C / 153.2	-29° C / 255.3	-29° C / 425.5
F11	-29° C / 19.8	-29° C / 51.7	-29° C / 103.4	-29° C / 137.9	-29° C / 155.1	-29° C / 258.6	-29° C / 430.9
F22	-29° C / 19.0	-29° C / 51.7	-29° C / 103.4	-29° C / 137.9	-29° C / 155.1	-29° C / 258.6	-29° C / 430.9
F316	-29° C / 19.6	-29° C / 49.6	-29° C / 99.3	-29° C / 132.4	-29° C / 148.9	-29° C / 248.2	-29° C / 413.7
F304	-29° C / 19.0	-29° C / 49.6	-29° C / 99.3	-29° C / 132.4	-29° C / 148.9	-29° C / 248.2	-29° C / 413.7

Gate Valf / Gate Valve

Parça No Part No	Parça Adı / Part Name	Karbon Çeliği Carbon Steel	Alaşımli Çelikler Alloy Steel		Paslanmaz Çelikler Stainless Steel	
		A105	A182 F11	A182 F22	A182 F304	A182 F316
1	Gövde / Body	A105	F11	F22	F304	F316
2	Gövde Ringi / Body Ring	A479 410	A479 410+STL		A182 F304	A182 F316
3	Sürgü / Wedge	A479 410	A479 410+STL		A182 F304	A182 F316
4	Conta / Gasket	SWG AISI 304 or 316 + Graphite				
5	Mil / Stem	A479 410	A479 410		A182 F304	A182 F316
6	Kapak / Bonnet	A105	F11	F22	F304	F316
7	Kapak Civatası / Body - Bonnet Bolt	A193 B7	A193 B16		A193 B8	
8	Salmastra / Packing	Grafit / Graphite				
9	Glend / Gland	A479 410	A182 F11		A182 F304	A182 F316
10	Glend flanşı / Gland Flange	A105	F11	F22	F304	F316
11	Glend Gözlü/Saplaması / Gland Bolt	A193 B7	A193 B16		A193 B8	
12	Glend Saplama Somunu / Gland Bolt Nut	A194 2H	A194 8M		A194 8M	
13	Mil Burcu / Stem Bushing	AISI 420				
14	Volan / Handwheel	Karbon Çelik / Carbon Steel - Sfero Döküm / Ductile Iron				
15	Volan Somunu / Handwheel Nut	Çelik / Steel				
16	Etiket / Name Plate	Alüminyum / Aluminium				

Globe Valf / Globe Valve

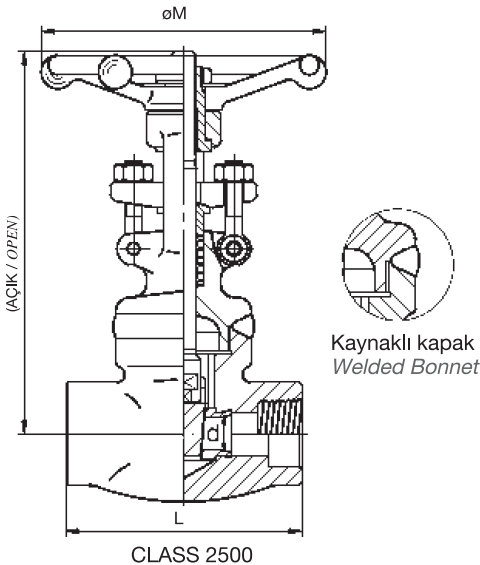
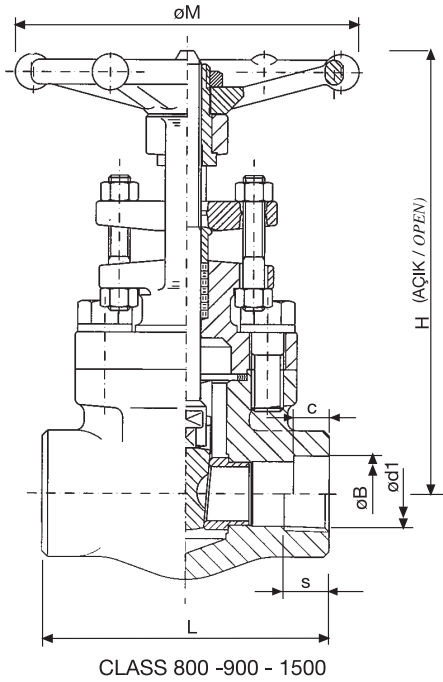
1	Gövde / Body	A105	F11	F22	F304	F316
2	Gövde Ringi / Body Ring	A479 410	A479 410+STL		A182 F304	A182 F316
3	Disk / Disc	A479 410	A479 410+STL		A182 F304	A182 F316
4	Conta / Gasket	SWG AISI 304 or 316 + Graphite				
5	Mil / Stem	A479 410	A479 410		A182 F304	A182 F316
6	Kapak / Bonnet	A105	F11	F22	F304	F316
7	Kapak Civatası / Body - Bonnet Bolt	A193 B7	A193 B16		A193 B8	
8	Salmastra / Packing	Grafit / Graphite				
9	Glend / Gland	A479 410	A182 F11		A182 F304	A182 F316
10	Glend flanşı / Gland Flange	A105	F11	F22	F304	F316
11	Glend Gözlü/Saplaması / Gland Bolt	A193 B7	A193 B16		A193 B8	
12	Glend Saplama Somunu / Gland Bolt Nut	A194 2H	A194 8M		A194 8M	
13	Mil Burcu / Stem Bushing	A479 420				
14	Volan / Handwheel	Karbon Çelik / Carbon Steel - Sfero Döküm / Ductile Iron				
15	Çatal Somunu / Yoke Nut	Çelik / Steel				
16	Pul / Washer	Çelik / Steel				
17	Volan Somunu / Handwheel Nut	Çelik / Steel				
18	Etiket / Name Plate	Alüminyum / Aluminium				

Check Valf / Check Valve

1	Gövde / Body	A105	F11	F22	F304	F316
2	Gövde Ringi / Body Ring	A479 410	A182 F11		A182 F304	A182 F316
3	Disk / Disc	A479 410	A182 F11		A182 F304	A182 F316
4	Conta / Gasket	SWG AISI 304 or 316 + Graphite				
5	Yay / Spring	A479 316				
6	Kol Pimi / Hinge Pin	A479 410				
7	Kapak / Bonnet	A105	F11	F22	F304	F316
8	Kapak Civatası / Body - Bonnet Bolt	A193 B7	A193 B16		A193 B8	
9	Disk Somunu / Disc Nut	A479 410		A182 F304		A182 F316
10	Küre / Ball	A479 410		A182 F304		A182 F316
11	Kol / Hinge	A479 410		A182 F304		A182 F316
12	Etiket / Name Plate	Alüminyum / Aluminium				

Figür / Figure G18DA, G19DA, G19ADA

- ❑ Soket Bağlantılı / Socket Weld (SW) : ASME B16.11
- ❑ Dişli Bağlantılı / Threaded (NPT) : ASME B1.20.1
- ❑ Dizayn / Design : BS 5352, API 602
- ❑ API 602 Standard Geçiş: Daralan / API 602 standard Reduced Port
- ❑ Hidrostatik Test / Hydrostatic Test : API 598
- ❑ Cıvatalı Kapaklı / Bolted Bonnet (BB)
- ❑ Kaynaklı Kapak / Welded Bonnet (for class 2500)
- ❑ Dıştan Vidalı Boyunduruklu / Outside Screw and Yoke (OSY)
- ❑ Yükselen Milli / Rising Stem (RS)
- ❑ Yükselmeyen Volanlı / Non-rising Handwheel (NRH)
- ❑ Konik Sürgülü / Conical wedge
- ❑ Değişebilir Sitrinli / Renewable Seat Rings



Boyutlar / Dimensions (mm)

CLASS 800					Figür / Figure G18DA				
DN	INCH	L *	H	øM	Soket Ucu /Socketed Weld		Dişli /Threaded		Kg
					B	C	d1 (NPT)	S	
15	1/2"	73	144	100	21.70 - 21.95	10	1/2"	13.5	1.9
20	3/4"	80	150	100	27.05 - 27.30	13	3/4"	14.0	2.2
25	1"	100	180	125	33.80 - 34.05	13	1"	17.5	4.1
32	1 1/4"	114	235	160	42.55 - 42.80	13	1 1/4"	18.0	7.3
40	1 1/2"	120	235	160	48.65 - 48.90	13	1 1/2"	18.5	7.3
50	2"	130	270	160	61.10 - 61.35	16	2"	19.0	10.8

CLASS 900-1500					Figür / Figure G19DA				
DN	INCH	L *	H	øM	Soket Ucu /Socketed Weld		Dişli /Threaded		Kg
					B	C	d1 (NPT)	S	
15	1/2"	100	182	125	21.70 - 21.95	10	1/2"	13.5	3.4
20	3/4"	100	182	125	27.05 - 27.30	13	3/4"	14.0	3.4
25	1"	114	206	160	33.80 - 34.05	13	1"	17.5	5.1
32	1 1/4"	120	225	160	42.55 - 42.80	13	1 1/4"	18.0	5.4
40	1 1/2"	130	246	180	48.65 - 48.90	13	1 1/2"	18.5	7.6
50	2"	140	282	180	61.10 - 61.35	16	2"	19.0	11.0

CLASS 2500					Figür / Figure G19ADA				
DN	INCH	L *	H	øM	Soket Ucu /Socketed Weld		Dişli /Threaded		Kg
					B	C	d1 (NPT)	S	
15	1/2"	114	204	160	21.70 - 21.95	10	1/2"	13.5	8.5
20	3/4"	114	204	160	27.05 - 27.30	13	3/4"	14.0	8.7
25	1"	120	221	160	33.80 - 34.05	13	1"	17.5	8.8

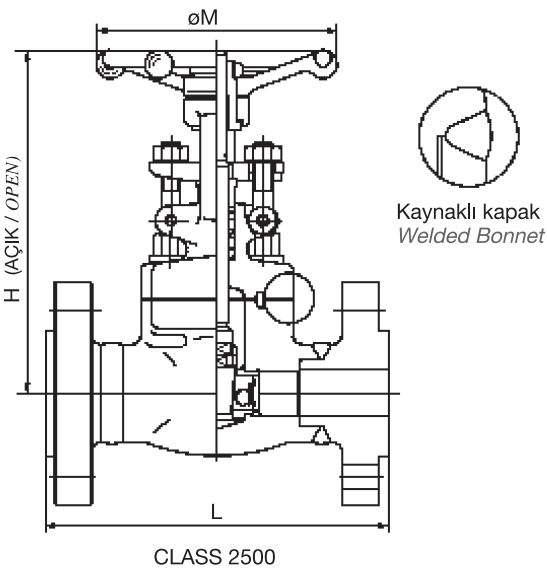
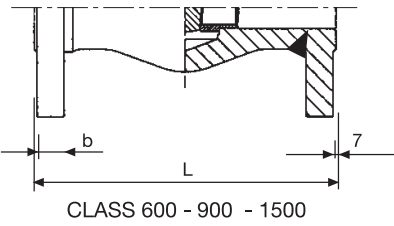
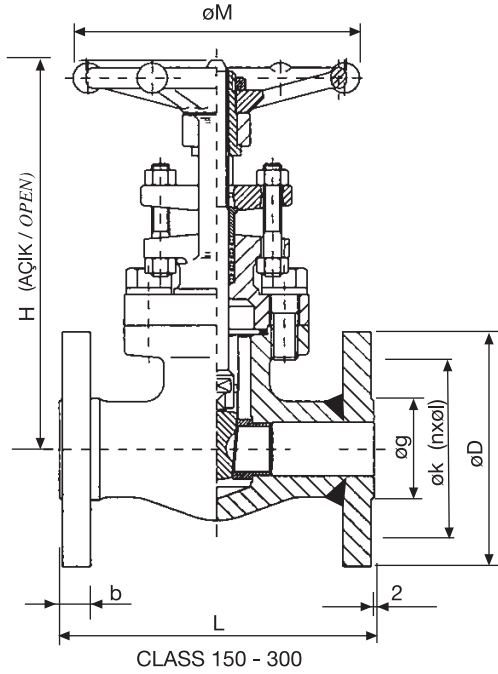
* Üretici firma "L" ölçüsünü müşterisinin bilgisi dışında değiştirebilir.
Manufacturer can change measure "L" length without customer's knowledge

Figür / Figure G10DA, G12DA, G13DA, G14DA, G15DA

- ❑ Flanslı Bağlantılı / Flanged Ends (FLGD) : ASME B16.5
- ❑ Uçtan Uca Boyutlar / Face to Face: ASME B16.10
- ❑ Dizayn / Design : BS 5352, API 602
- ❑ API 602 Standard Geçiş: Daralan / API 602 standard Reduced Port
- ❑ Hidrostatik Test / Hydrostatic Test : API 598
- ❑ Cıvatalı Kapaklı / Bolted Bonnet (BB)
- ❑ Kaynaklı Kapak / Welded Bonnet (for class 2500)
- ❑ Yükseltilmiş Yüzeyli / Raised Face (RF)
- ❑ Dıştan Vidalı Boyunduruklu / Outside Screw and Yoke (OSY)
- ❑ Yükselen Milli / Rising Stem (RS)
- ❑ Yükselmeyen Volanlı / Non-rising Handwheel (NRH)
- ❑ Konik Sürgülü / Conical wedge
- ❑ Değişebilir Sitringli / Renewable Seat Rings



Boyutlar / Dimensions (mm)


CLASS 150
Figür / Figure G10DA

DN	INC	øD	b	øg	øk	n	øl	L	H	øM	Kg
15	1/2"	90	11.2	35	60.3	4	16	108	144	100	2.6
20	3/4"	100	12.7	43	69.9	4	16	117	150	100	3.3
25	1"	110	14.3	50.8	79.4	4	16	127	180	125	4.9
32	1 1/4"	115	15.8	63.5	88.9	4	16	140	235	160	8.4
40	1 1/2"	125	14.3	73	98.4	4	16	165	235	160	9.0

CLASS 300
Figür / Figure G12DA

DN	INC	øD	b	øg	øk	n	øl	L	H	øM	Kg
15	1/2"	95	14.3	35	66.7	4	16	140	144	100	3.2
20	3/4"	115	15.8	43	82.6	4	19	152	150	100	4.7
25	1"	125	17.6	50.8	88.9	4	19	165	180	125	6.3
32	1 1/4"	135	19.1	63.5	98.4	4	19	178	235	160	9.6
40	1 1/2"	155	20.6	73	114.3	4	22	190	235	160	11.4

CLASS 600
Figür / Figure G13DA

DN	INC	øD	b	øg	øk	n	øl	L	H	øM	Kg
15	1/2"	95	20.6	35	66.7	4	16	165	144	100	3.5
20	3/4"	115	22.2	43	82.6	4	19	190	150	100	4.8
25	1"	125	23.9	50.8	88.9	4	19	216	180	125	6.3
32	1 1/4"	135	27	63.5	98.4	4	19	229	235	160	8.1
40	1 1/2"	155	28.8	73	114.3	4	22	241	235	160	8.9

CLASS 900/1500
Figür / Figure G14DA

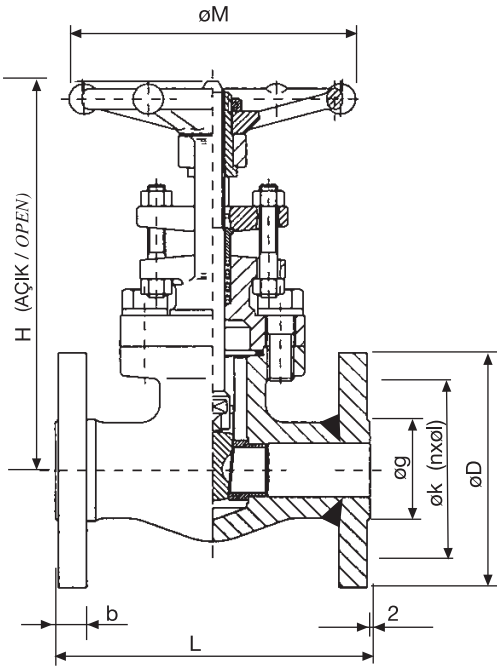
DN	INC	øD	b	øg	øk	n	øl	L	H	øM	Kg
15	1/2"	120	129	35	82.6	4	22	216	144	100	5.1
20	3/4"	130	32.5	43	88.9	4	22	229	150	100	8.9
25	1"	150	35.5	50.8	101.6	4	25.5	254	180	125	10.1
32	1 1/4"	160	35.5	63.5	111.1	4	25.5	279	235	160	13.7
40	1 1/2"	180	39	73	123.8	4	28.5	305	235	160	21.5

CLASS 2500
Figür / Figure G15DA

DN	INC	øD	b	øg	øk	n	øl	L	H	øM	Kg
15	1/2"	135	37	35	88.9	4	22	264	144	100	13.0
20	3/4"	140	39	43	95.2	4	22	273	150	100	13.1
25	1"	160	42	50.8	108	4	25.5	608	180	125	13.7
40	1 1/2"	205	51.5	73	146	4	32	384	235	160	29.7

Figür / Figure G10DDA, G12DDA

- ❑ Flanşlı Bağlantılı / Flanged Ends (FLGD) : EN 1092-1, ISO 7005-1
- ❑ Uçtan Uca Boyutlar / Face to Face: DIN 3202 - DIN EN 558-1
- ❑ Dizayn / Design : BS 5352, API 602
- ❑ Hidrostatik Test / Hydrostatic Test : API 598 - ISO 5208
- ❑ Cıvatalı Kapaklı / Bolted Bonnet (BB)
- ❑ Yükseltilmiş Yüzeyle / Raised Face (RF)
- ❑ Dıştan Vidalı Boyunduruklu / Outside Screw and Yoke (OSY)
- ❑ Yükselen Milli / Rising Stem (RS)
- ❑ Yükselmeyen Volanlı / Non-rising Handwheel (NRH)
- ❑ Konik Sürgülü / Conical wedge
- ❑ Değişebilir Sitringli / Renewable Seat Rings



Boyutlar / Dimensions (mm)

PN16 / PN25 / PN40 DIN EN 558/Series-1 (DIN 3202-F1) Figür / Figure G10DDA

DN	INC	øD	b	øg	øk	n	øl	L*	H	øM	Kg
15	1/2"	95	14	45	65	4	14	130	144	100	4.5
20	3/4"	105	16	58	75	4	14	150	150	100	6.5
25	1"	115	16	68	85	4	14	160	180	125	8.5
32	1 1/4"	140	16	78	100	4	18	180	235	160	12.5
40	1 1/2"	150	16	88	110	4	18	240*	235	160	13.5

* DN 40 DIN 3202 - F5 (DIN EN 558 / series-15)

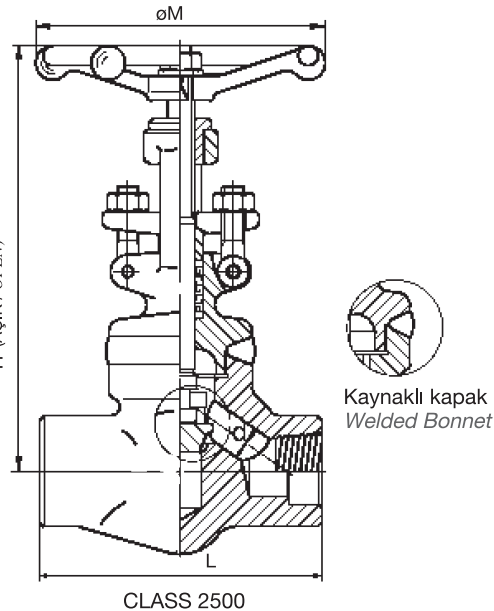
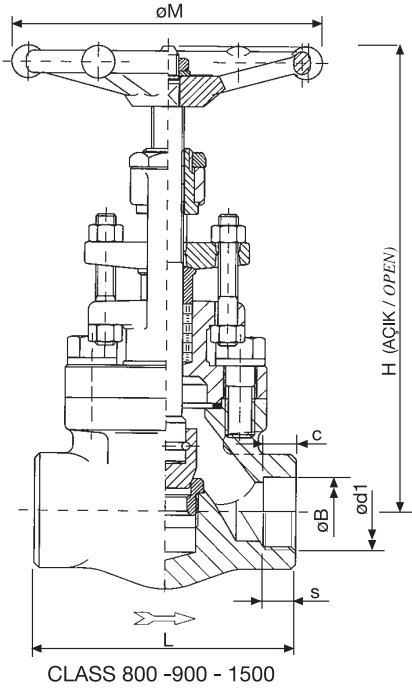
PN63 / PN100 DIN EN 558/Series-2 (DIN 3202-F2) Figür / Figure G12DDA

DN	INC	øD	b	øg	øk	n	øl	L*	H	øM	Kg
15	1/2"	105	20	45	75	4	14	210	144	100	6
20	3/4"	130	24	58	90	4	18	230	150	100	7.5
25	1"	140	24	68	100	4	18	230	180	125	9.5
32	1 1/4"	155	26	78	110	4	22	260	235	160	13.5
40	1 1/2"	170	28	88	125	4	22	240*	235	160	15

* DN 40 DIN 3202 - F7 (DIN EN 558 / series-15)

Figür / Figure G48DA, G49DA, G49ADA

- ❑ Soket Bağlantılı / Socket Weld (SW) : ASME B16.11
- ❑ Dişli Bağlantılı / Threaded (NPT) : ASME B1.20.1
- ❑ Dizayn / Design : BS 5352, API 602
- ❑ API 602 Standard Geçiş: Daralan / API 602 standard Reduced Port
- ❑ Hidrostatik Test / Hydrostatic Test : API 598
- ❑ Cıvatalı Kapaklı / Bolted Bonnet (BB)
- ❑ Kaynaklı Kapak / Welded Bonnet (for class 2500)
- ❑ Dıştan Vidalı Boyunduruklu / Outside Screw and Yoke (OSY)
- ❑ Yükselen Milli / Rising Stem (RS)
- ❑ Yükselen Volanlı / Rising Handwheel (RH)
- ❑ Konik Diskli / Conical Disc
- ❑ Değişebilir Sitringli / Renewable Seat Rings



Boyutlar / Dimensions (mm)

CLASS 800
Figür / Figure G48DA

DN	INCH	L*	H	øM	Soket Ucu /Socketed Weld		Dişli /Threaded		Kg
					B	C	d1 (NPT)	S	
15	1/2"	73	155	100	21.70 - 21.95	10	1/2"	13.5	1.7
20	3/4"	80	160	100	27.05 - 27.30	13	3/4"	14.0	1.9
25	1"	100	198	125	33.80 - 34.05	13	1"	17.5	3.2
32	1 1/4"	114	217	160	42.55 - 42.80	13	1 1/4"	18.0	4.9
40	1 1/2"	145	235	160	48.65 - 48.90	13	1 1/2"	18.5	6.3
50	2"	160	273	180	61.10 - 61.35	16	2"	19.0	9.6

CLASS 900-1500
Figür / Figure G49DA

DN	INCH	L*	H	øM	Soket Ucu /Socketed Weld		Dişli /Threaded		Kg
					B	C	d1 (NPT)	S	
15	1/2"	100	193	125	21.70 - 21.95	10	1/2"	13.5	3.4
20	3/4"	100	193	125	27.05 - 27.30	13	3/4"	14.0	3.4
25	1"	114	212	160	33.80 - 34.05	13	1"	17.5	5.1
32	1 1/4"	145	235	160	42.55 - 42.80	13	1 1/4"	18.0	7.6
40	1 1/2"	160	257	180	48.65 - 48.90	13	1 1/2"	18.5	10.3
50	2"	172	300	200	61.10 - 61.35	16	2"	19.0	12.5

CLASS 2500
Figür / Figure G49ADA

DN	INCH	L*	H	øM	Soket Ucu /Socketed Weld		Dişli /Threaded		Kg
					B	C	d1 (NPT)	S	
15	1/2"	114	208	160	21.70 - 21.95	10	1/2"	13.5	5.7
20	3/4"	114	208	160	27.05 - 27.30	13	3/4"	14.0	7.5
25	1"	145	217	160	33.80 - 34.05	13	1"	17.5	12.5

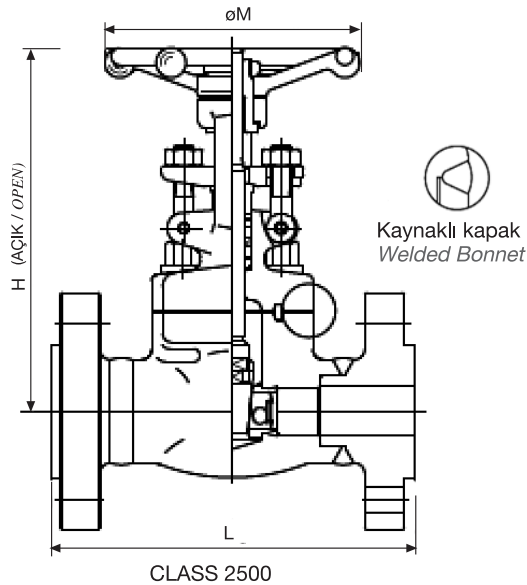
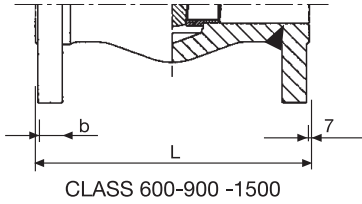
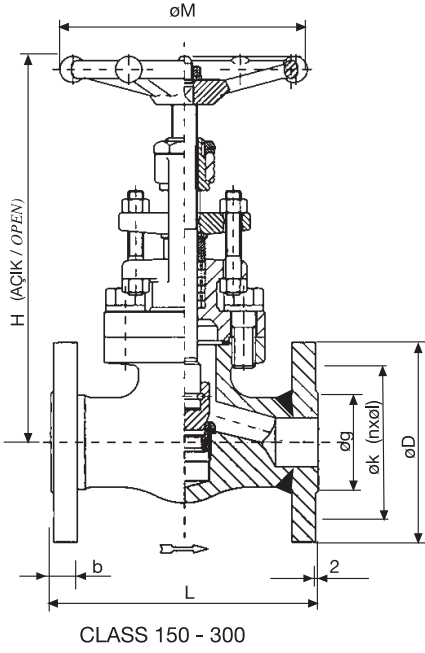
* Üretici firma "L" ölçüsünü müşterisinin bilgisi dışında değiştirebilir.
 Manufacturer can change measure "L" length without customer's knowledge

Figür / Figure G40DA, G42DA, G43DA, G44DA, G45DA

- ❑ Flanşlı Bağlantılı / Flanged Ends (FLGD) : ASME B16.5
- ❑ Uçtan Uca Boyutlar / Face to Face: ASME B16.10
- ❑ Dizayn / Design : BS 5352, API 602
- ❑ API 602 Standard Geçiş: Daralan / API 602 standard Reduced Port
- ❑ Hidrostatik Test / Hydrostatic Test : API 598
- ❑ Cıvatalı Kapaklı / Bolted Bonnet (BB)
- ❑ Kaynaklı Kapak / Welded Bonnet (for class 2500)
- ❑ Yükseltmiş Yüzeyli / Raised Face (RF)
- ❑ Dıştan Vidalı Boyunduruklu / Outside Screw and Yoke (OSY)
- ❑ Yükselen Millî / Rising Stem (RS)
- ❑ Yükselen Volanlı / Rising Handwheel (RH)
- ❑ Konik Diskli / Conical Disc
- ❑ Değişebilir Sitringle / Renewable Seat Rings



Boyutlar / Dimensions (mm)



CLASS 150												Figür / Figure G40DA	
DN	INC	øD	b	øg	øk	n	øl	L	H	øM	Kg		
15	1/2"	90	11.2	35	60.3	4	16	108	160	100	2.6		
20	3/4"	100	12.7	43	69.9	4	16	117	160	100	3.5		
25	1"	110	14.3	50.8	79.4	4	16	127	200	125	5.0		
32	1 1/4"	115	15.8	63.5	88.9	4	16	140	215	160	8.5		
40	1 1/2"	125	14.3	73	98.4	4	16	165	235	160	9.5		

CLASS 300												Figür / Figure G42DA	
DN	INC	øD	b	øg	øk	n	øl	L	H	øM	Kg		
15	1/2"	95	14.3	35	66.7	4	16	152	160	100	3.5		
20	3/4"	115	15.8	43	82.6	4	19	178	160	100	4.6		
25	1"	125	17.6	50.8	88.9	4	19	203	200	125	6.7		
32	1 1/4"	135	19.1	63.5	98.4	4	19	216	215	160	9.6		
40	1 1/2"	155	20.6	73	114.3	4	22	229	235	160	12.5		

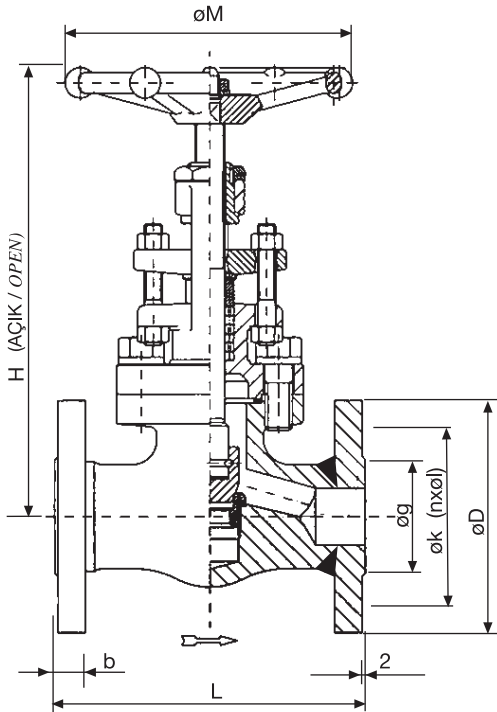
CLASS 600												Figür / Figure G43DA	
DN	INC	øD	b	øg	øk	n	øl	L	H	øM	Kg		
15	1/2"	95	20.6	35	66.7	4	16	165	160	100	3.5		
20	3/4"	115	22.2	43	82.6	4	19	190	160	100	4.8		
25	1"	125	23.9	50.8	88.9	4	19	216	200	125	7.5		
32	1 1/4"	135	27	63.5	98.4	4	19	229	215	160	9.6		
40	1 1/2"	155	28.8	73	114.3	4	22	241	235	160	13.5		

CLASS 900-1500												Figür / Figure G44DA	
DN	INC	øD	b	øg	øk	n	øl	L	H	øM	Kg		
15	1/2"	120	129	35	82.6	4	22	216	195	125	5.5		
20	3/4"	130	32.5	43	88.9	4	22	229	195	125	9.0		
25	1"	150	35.5	50.8	101.6	4	25.5	254	215	160	11.5		
32	1 1/4"	160	35.5	63.5	111.1	4	25.5	279	215	160	14.0		
40	1 1/2"	180	39	73	123.8	4	28.5	305	260	180	21.6		

CLASS 2500												Figür / Figure G45DA	
DN	INC	øD	b	øg	øk	n	øl	L	H	øM	Kg		
15	1/2"	135	37	35	88.9	4	22	264	208	160	19.5		
20	3/4"	140	39	43	95.2	4	22	273	208	160	21.5		
25	1"	160	42	50.8	108	4	25.5	308	217	160	42.0		

Figür / Figure G40DDA, G42DDA

- ❑ Flanşlı Bağlantılı / Flanged Ends (FLGD) : EN 1092-1, ISO 7005-1
- ❑ Uçtan Uca Boyutlar / Face to Face: DIN 3202 - DIN EN 558-1
- ❑ Dizayn / Design : BS 5352, API 602
- ❑ Hidrostatik Test / Hydrostatic Test : API 598 - ISO 5208
- ❑ Cıvatalı Kapaklı / Bolted Bonnet (BB)
- ❑ Yükseltilmiş Yüzeyli / Raised Face (RF)
- ❑ Dıştan Vidalı Boyunduruklu / Outside Screw and Yoke (OSY)
- ❑ Yükselen Milli / Rising Stem (RS)
- ❑ Yükselen Volanlı / Rising Handwheel (RH)
- ❑ Cıvatalı Glendli / Bolted Gland (BG)
- ❑ Konik Diskli / Conical Disc
- ❑ Değişebilir Sitringli / Renewable Seat Rings



Boyutlar / Dimensions (mm)

PN16 / PN25 / PN40 DIN EN 558 / Series-1 (DIN 3202-F1) Figür / Figure G40DDA

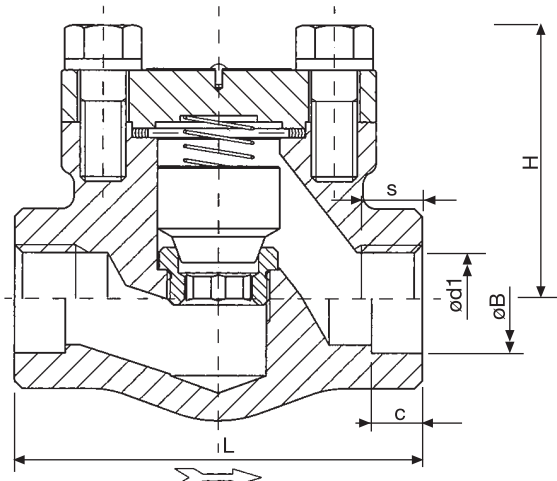
DN	INC	øD	b	øg	øk	n	øl	L	H	øM	Kg
15	1/2"	95	16	45	65	4	14	130	160	100	4.5
20	3/4"	105	18	58	75	4	14	150	160	100	6.5
25	1"	115	18	68	85	4	14	160	200	125	8.5
32	1 1/4"	140	18	78	100	4	18	180	235	160	12.5
40	1 1/2"	150	18	88	110	4	18	200	235	160	13.5

PN63 / PN100 DIN EN 558 / Series-2 (DIN 3202-F2) Figür / Figure G42DDA

DN	INC	øD	b	øg	øk	n	øl	L	H	øM	Kg
15	1/2"	105	20	45	75	4	14	210	160	100	5
20	3/4"	130	24	58	90	4	18	230	160	100	7
25	1"	140	24	68	100	4	18	230	200	125	9
32	1 1/4"	155	26	78	110	4	22	260	235	160	13
40	1 1/2"	170	28	88	125	4	22	260	235	160	14

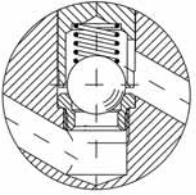
Figür / Figure G38DA, G39DA, G39ADA

- ❑ Soket Bağlantılı / Socket Weld (SW) : ASME B16.11
- ❑ Dişli Bağlantılı / Threaded (NPT) : ASME B1.20.1
- ❑ Dizayn / Design : BS 5352, API 602
- ❑ API 602 Standard Geçiş: Daralan / API 602 standard Reduced Port
- ❑ Hidrostatik Test / Hydrostatic Test : API 598
- ❑ Cıvatalı Kapaklı / Bolted Bonnet (BB)
- ❑ Kaynaklı Kapak / Welded Bonnet (for class 2500)
- ❑ Değişebilir Sitringle / Renewable Seat Rings

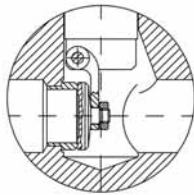


Piston (Lift) Tip / Piston (Lift) Type

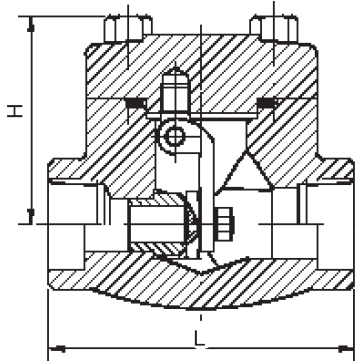
CLASS 800 - 900 - 1500



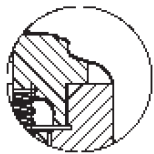
Küre Tip / Ball Type



Yüzer Tip / Swing Type



CLASS 2500


 Kaynaklı kapak
 Welded Bonnet


Boyutlar / Dimensions (mm)

CLASS 800
Figür / Figure G38DA

DN	INCH	L*	H	Soket Ucu / Socked Weld		Dişli / Threaded		Kg
				B	C	d1 (NPT)	S	
15	1/2"	73	50	21.70 - 21.95	10	1/2"	13.5	1.0
20	3/4"	80	53	27.05 - 27.30	13	3/4"	14	1.3
25	1"	100	64	33.80 - 34.05	13	1"	17.5	2.1
32	1 1/4"	114	80	42.55 - 42.80	13	1 1/4"	18	3.5
40	1 1/2"	145	84	48.65 - 48.90	13	1 1/2"	18.5	4.7
50	2"	160	102	61.10 - 61.35	16	2"	19	7.5

CLASS 900-1500
Figür / Figure G39DA

DN	INCH	L*	H	Soket Ucu / Socked Weld		Dişli / Threaded		Kg
				B	C	d1 (NPT)	S	
15	1/2"	100	64	21.70 - 21.95	10	1/2"	13.5	1.5
20	3/4"	100	64	27.05 - 27.30	13	3/4"	14	3.4
25	1"	114	80	33.80 - 34.05	13	1"	17.5	3.4
32	1 1/4"	145	84	42.55 - 42.80	13	1 1/4"	18	4.2
40	1 1/2"	160	102	48.65 - 48.90	13	1 1/2"	18.5	6.3
50	2"	172	118	61.10 - 61.35	16	2"	19	10.5

CLASS 2500
Figür / Figure G39ADA

DN	INCH	L*	H	Soket Ucu / Socked Weld		Dişli / Threaded		Kg
				B	C	d1 (NPT)	S	
15	1/2"	186	130	21.70 - 21.95	10	1/2"	13.5	11.8
20	3/4"	186	130	27.05 - 27.30	13	3/4"	14	11.0
25	1"	186	130	33.80 - 34.05	13	1"	17.5	10.5
32	1 1/4"	232	190	42.55 - 42.80	13	1 1/4"	18	23.0
40	1 1/2"	232	190	48.65 - 48.90	13	1 1/2"	18.5	26.4
50	2"	279	213	61.10 - 61.35	16	2"	19	39.0

* Üretici firma "L" ölçüsünü müşterisinin bilgisi dışında değiştirebilir.

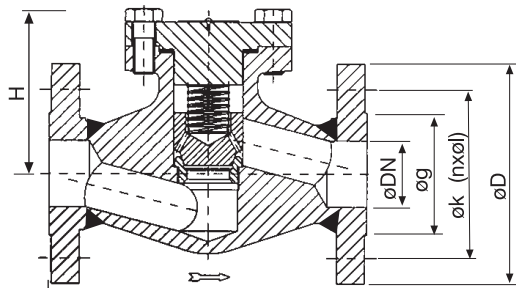
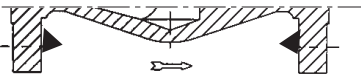
Manufacturer can change measure "L" length without customer's knowledge

Figür / Figure G30DA, G32DA, G33DA, G34DA, G35DA

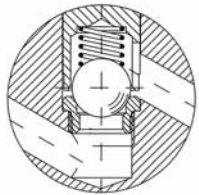
- ❑ Flanşlı Bağlantılı / Flanged Ends (FLGD) : ASME B16.5
- ❑ Uçtan Uca Boyutlar / Face to Face : ASME B16.10
- ❑ Dizayn / Design : BS 5352, API 602
- ❑ API 602 Standard Geçiş: Daralan / API 602 standard Reduced Port
- ❑ Hidrostatik Test / Hydrostatic Test : API 598
- ❑ Kaynaklı Kapak / Welded Bonnet (for class 2500)
- ❑ Cıvatalı Kapaklı / Bolted Bonnet (BB)
- ❑ Yükseltilmiş Yüzeyle / Raised Face (RF)
- ❑ Değişebilir Sitrinli / Renewable Seat Rings



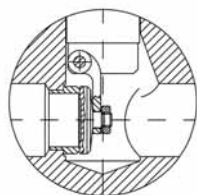
Boyutlar / Dimensions (mm)


 Piston (Lift) Tip / Piston (Lift) Type
 CLASS 150 - 300


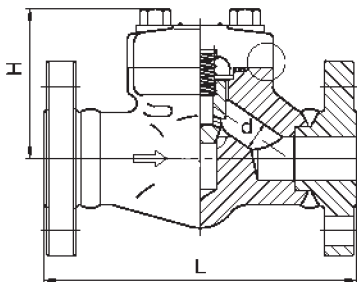
CLASS 600-900-1500



Küre Tip / Ball Type



Yüzer Tip / Swing Type


 Kaynaklı kapak
 Welded Bonnet


CLASS 2500

CLASS 150
Figür / Figure G30DA

DN	INC	øD	b	øg	øk	n	øl	L	H	Kg
15	1/2"	90	11.2	35	60.3	4	16	108	50	3.2
20	3/4"	100	12.7	43	69.9	4	16	117	53	3.6
25	1"	110	14.3	50.8	79.4	4	16	127	64	4.6
32	1 1/4"	115	15.8	63.5	88.9	4	16	140	80	9.2
40	1 1/2"	125	14.3	73	98.4	4	16	165	84	10.2

CLASS 300
Figür / Figure G32DA

DN	INC	øD	b	øg	øk	n	øl	L	H	Kg
15	1/2"	95	14.3	35	66.7	4	16	152	50	3.7
20	3/4"	115	15.8	43	82.6	4	19	178	53	4.8
25	1"	125	17.6	50.8	88.9	4	19	203	64	5.5
32	1 1/4"	135	19.1	63.5	98.4	4	19	216	80	9.6
40	1 1/2"	155	20.6	73	114.3	4	22	229	84	11.3

CLASS 600
Figür / Figure G33DA

DN	INC	øD	b	øg	øk	n	øl	L	H	Kg
15	1/2"	95	20.6	35	66.7	4	16	165	50	4.0
20	3/4"	115	22.2	43	82.6	4	19	190.5	53	4.8
25	1"	125	23.9	50.8	88.9	4	19	216	64	6.0
32	1 1/4"	135	27	63.5	98.4	4	19	229	80	9.5
40	1 1/2"	155	28.8	73	114.3	4	22	241	84	15.6

CLASS 900-1500
Figür / Figure G34DA

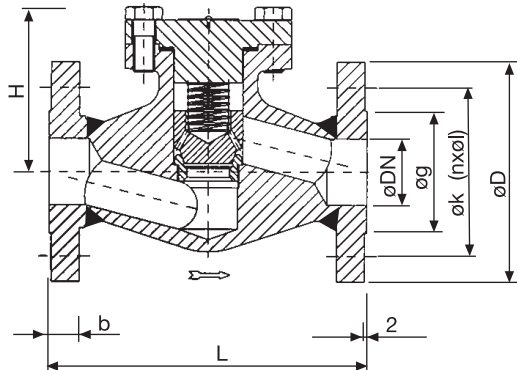
DN	INC	øD	b	øg	øk	n	øl	L	H	Kg
15	1/2"	120	129	35	82.6	4	22	216	117	10.5
20	3/4"	130	32.5	43	88.9	4	22	229	117	12.0
25	1"	150	35.5	50.8	101.6	4	25.5	254	117	14.0
32	1 1/4"	160	35.5	63.5	111.1	4	25.5	279	152	20.0
40	1 1/2"	180	39	73	123.8	4	28.5	305	152	27.0

CLASS 2500
Figür / Figure G35DA

DN	INC	øD	b	øg	øk	n	øl	L	H	Kg
15	1/2"	135	37	35	88.9	4	22	264	117	12.6
20	3/4"	140	39	43	95.2	4	22	273	117	15.0
25	1"	160	42	50.8	108	4	25.5	308	117	16.5
32	1 1/4"	185	45	63.5	130.2	4	28.5	349	152	25.0
40	1 1/2"	205	51.5	73	146	4	32	384	152	30.0

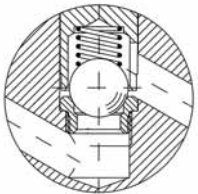
Figür / Figure G30DDA, G32DDA

- ❑ Flanşlı Bağlantılı / Flanged Ends (FLGD) : EN 1092-1, ISO 7005-1
- ❑ Uçtan Uca Boyutlar / Face to Face : DIN EN 558-1 (DIN 3202)
- ❑ Dizayn / Design : BS 5352, API 602
- ❑ Hidrostatik Test / Hydrostatic Test : API 598
- ❑ Cıvatalı Kapaklı / Bolted Bonnet (BB)
- ❑ Yükseltilmiş Yüzeyle / Raised Face (RF)
- ❑ Tam Geçişli / Full Bore
- ❑ Değişebilir Sitrinli / Renewable Seat Rings

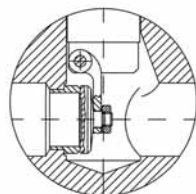


Piston (Lift) Tip / Piston (Lift) Type

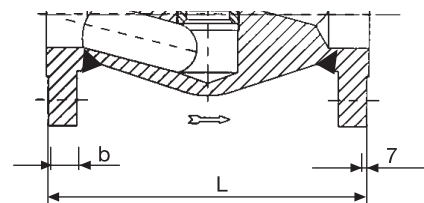
PN 16 - 25- 40



Küre Tip / Ball Type



Yüzer Tip / Swing Type



PN 100

Boyutlar / Dimensions (mm)

PN16 / PN25 / PN40 DIN EN 558/Series-1 (DIN 3202-F1) Figür / Figure G30DDA

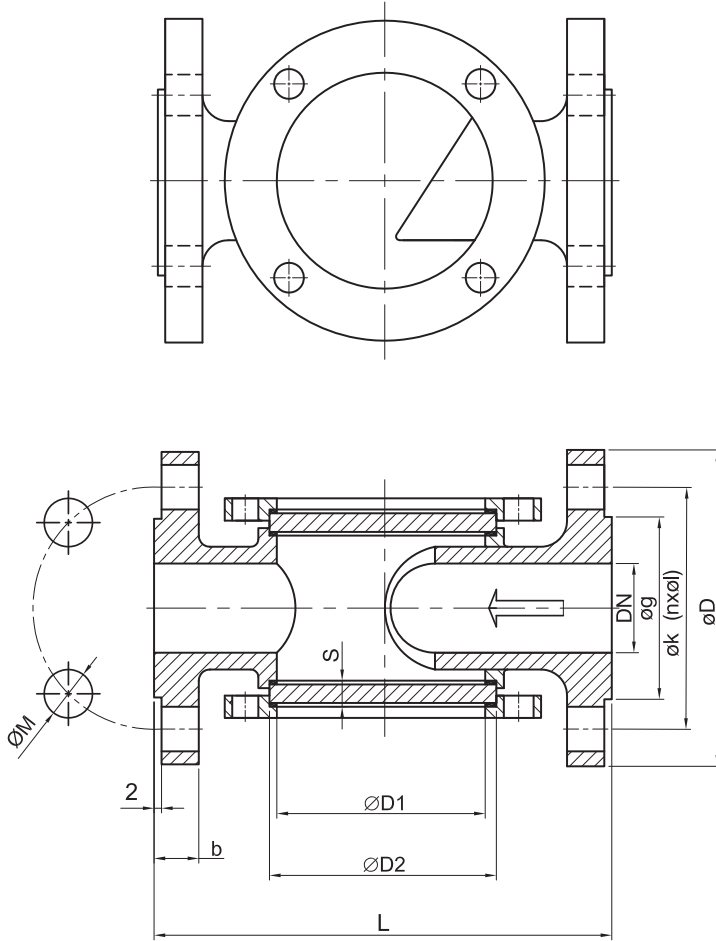
DN	INC	øD	b	øg	øk	n	øl	L	H	Kg
15	1/2"	95	16	45	65	4	14	130	108	3.5
20	3/4"	105	18	58	75	4	14	150	118	5.5
25	1"	115	18	68	85	4	14	160	127	7
32	1 1/4"	140	18	78	100	4	18	180	140	10
40	1 1/2"	150	18	88	110	4	18	200	165	10.5

PN63 / PN100 DIN EN 558/Series-2 (DIN 3202-F2) Figür / Figure G32DDA

DN	INC	øD	b	øg	øk	n	øl	L	H	Kg
15	1/2"	105	20	45	75	4	14	210	48	4
20	3/4"	130	24	58	90	4	18	230	48	6
25	1"	140	24	68	100	4	18	230	63	7,5
32	1 1/4"	155	26	78	110	4	22	260	85	10
40	1 1/2"	170	28	88	125	4	22	260	85	11

Figür / Figure G90DA

- ❑ Flanşlı bağlantılı / Flanged ends (FLGD) : ASME B16.5
- ❑ Uçtan uca Boyutlar / Face to face : DIN EN 558-1
- ❑ Çalışma şartları / Rating : ASME B16.34 (19,6 bar, 38°C)
- ❑ Hidrostatik test / Hydrostatic test : API 598
- ❑ Değişebilir gösterge camı / Renewable glass



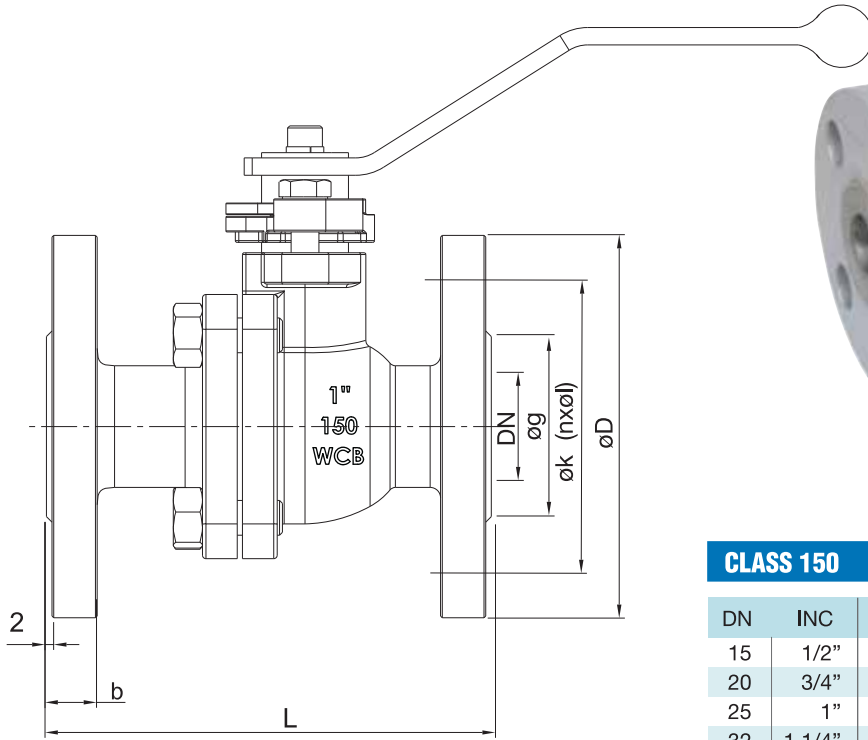
Boyutlar / Dimensions (mm)

DN	INCH	øD	b	øg	øk	n	øM	L	D1	D2	S	Kg
15	1/2"	69	11	35	60	4	16	108	30	40	8	1,5
20	3/4"	99	13	43	70	4	16	117	30	40	8	1,7
25	1"	108	14	50	80	4	16	127	40	50	8	2,2
32	1 1/4"	118	16	63	89	4	16	140	40	60	8	3,5
40	1 1/2"	127	18	73	98	4	16	165	60	70	10	4,5
50	2"	152	17	92	120	4	19	178	68	80	10	6
80	3"	190	19	127	152,4	4	19	203	90	100	10	8,5
100	4"	229	20	157	190	8	22	229	105	120	12	12
150	6"	280	25	216	241,3	8	22	350	145	160	20	16
200	8"	345	28	270	298,5	8	22	400	145	160	20	22
250	10"	405	30	324	362	12	26	450	180	200	20	30
300	12"	485	32	381	431,8	12	26	500	180	200	20	41
350	14"	535	35	413	476,3	12	28	550	180	200	20	57
400	16"	595	36	470	539,8	16	28	600	270	300	38	85
450	18"	635	40	533	577,9	16	32	978	270	300	38	115

Figür / Figure G50DA2, G52DA2, G53DA2

- ❑ Flanşlı Bağlantılı / Flanged Ends (FLGD) : ASME B16.5
- ❑ Uçtan Uca Boyutlar / Face to Face : ASME B16.10
- ❑ Dizayn / Design : API 608
- ❑ Tam Geçişli / Full Bore
- ❑ Hidrostatik Test / Hydrostatic Test : API 598
- ❑ Yükseltilmiş Yüzeyle / Raised Face (RF)
- ❑ İki Parçalı Gövde / Two piece Body
- ❑ Kol Kumandalı / Lever Operated
- ❑ Gövde Malzemesi / Body Material A216 Gr WCB
A351 Gr CF8
A351 Gr CF8M


CLASS 150

CLASS 300


Boyutlar / Dimensions (mm)

CLASS 150
Figür / Figure G50DA2

DN	INC	øD	b	øg	øk	n	øl	L	Kg
15	1/2"	90	11.2	35	60.3	4	16	108	1,2
20	3/4"	100	12.7	43	69.9	4	16	117	1,7
25	1"	110	14.3	50.8	79.4	4	16	127	2,3
32	1 1/4"	115	15.8	63.5	88.9	4	16	140	3

CLASS 300
Figür / Figure G52DA2

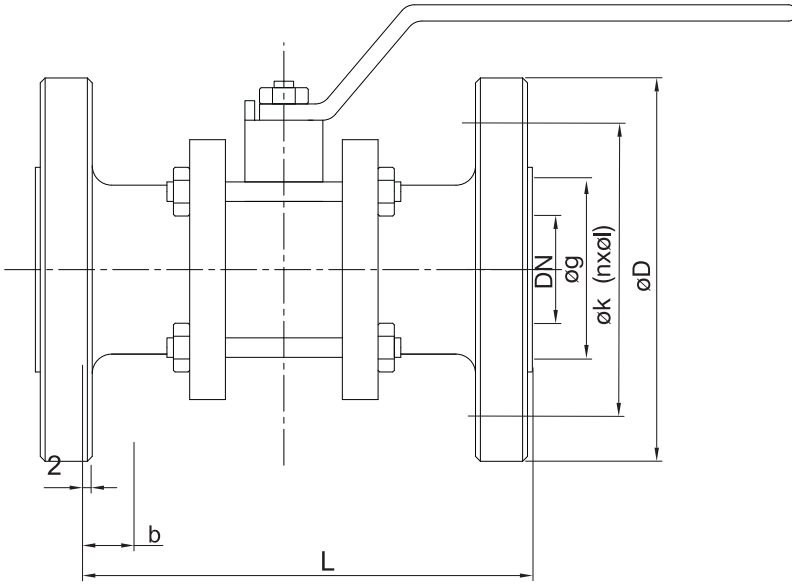
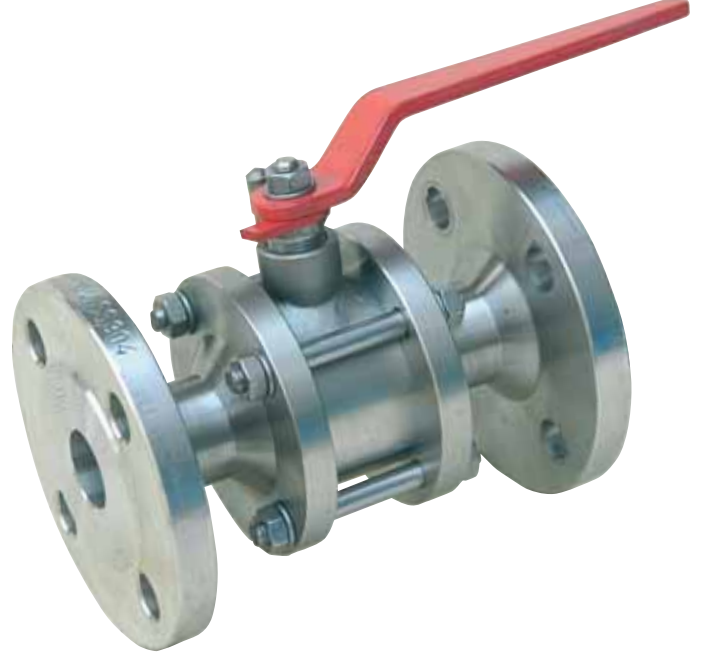
DN	INC	øD	b	øg	øk	n	øl	L	Kg
15	1/2"	95	14.3	35	66.7	4	16	140	1,6
20	3/4"	115	15.8	43	82.6	4	19	152	2,3
25	1"	125	17.6	50.8	88.9	4	19	165	3,1
32	1 1/4"	135	19.1	63.5	98.4	4	19	178	4,2

CLASS 600
Figür / Figure G53DA2

DN	INC	øD	b	øg	øk	n	øl	L	Kg
15	1/2"	95	20.6	35	66.7	4	16	165	2,1
20	3/4"	115	22.2	43	82.6	4	19	190	3
25	1"	125	23.9	50.8	88.9	4	19	216	4
32	1 1/4"	135	27	63.5	98.4	4	19	229	5,5
40	1 1/2"	155	28.8	73	114.3	4	22	241	7,5

Figür / Figure G50DA3

- ❑ Flanşlı Bağlantılı / Flanged Ends (FLGD) : EN 1092-1, ISO 7005-1
- ❑ Uçtan Uca Boyutlar / Face to Face : DIN EN 558-1 (DIN 3202)
- ❑ Hidrostatik Test / Hydrostatic Test : API 598
- ❑ Üç Parçalı Gövde / Three Piece Body
- ❑ Tam Geçişli / Full Bore
- ❑ Yükseltilmiş Yüzeyle / Raised Face (RF)
- ❑ Kol Kumandalı / Lever Operated
- ❑ Gövde Malzemesi / Body Material Carbon Steel
AISI 304
AISI 316

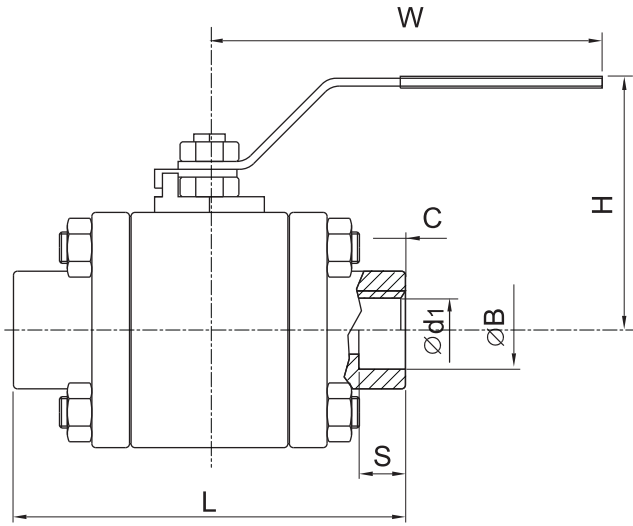


Boyutlar / Dimensions (mm)

PN10 / PN16 / PN25 DIN EN 558/Series-1 (DIN 3202-F1)									
DN	INC	øD	b	øg	øk	n	øl	L	Kg
15	1/2"	95	16	45	65	4	14	130	1,7
20	3/4"	105	18	58	75	4	14	150	2,4
25	1"	115	18	68	85	4	14	160	3,4
32	1 1/4"	140	18	78	100	4	18	180	4,5
40	1 1/2"	150	18	88	110	4	18	200	6,5

Figür / Figure G58DA3

- ❑ Soket Bağlantılı / *Socket Weld (SW) : ASME B16.11*
- ❑ Dişli Bağlantılı / *Threaded (NPT) : ASME B1.20.1*
- ❑ Üç Parçalı Gövde / *Three Piece Body*
- ❑ Hidrostatik Test / *Hydrostatic Test : API 598*
- ❑ Gövde Malzemesi / *Body Material A105, AISI 316*
- ❑ Kol Kumandalı / *Lever Operated*



Boyutlar / Dimensions (mm)

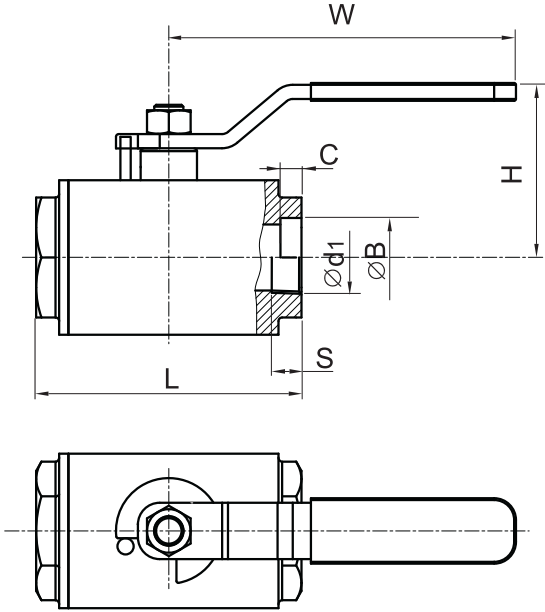
CLASS 800

DN	INCH	L*	H	W	Soket Ucu / Socked Weld		Dişli / Threaded		Kg
					B	C	d1 (NPT)	S	
15	1/2"	92	70	130	21.70 - 21.95	10	1/2"	13.5	0,95
20	3/4"	111	75	160	27.05 - 27.30	13	3/4"	14	1,7
25	1"	127	95	200	33.80 - 34.05	13	1"	17.5	2,4
32	1 1/4"	135	100	250	42.55 - 42.80	13	1 1/4"	18	3,7
40	1 1/2"	152	110	250	48.65 - 48.90	13	1 1/2"	18.5	4,9
50	2"	178	120	300	61.10 - 61.35	16	2"	19	8,7

* Üretici firma "L" ölçüsünü müşterisinin bilgisi dışında değiştirebilir.
 Manufacturer can change measure "L" length without customer's knowledge

Figür / Figure G58DA2

- ❑ Soket Bağlantılı / *Socket Weld (SW) : ASME B16.11*
- ❑ Dişli Bağlantılı / *Threaded (NPT) : ASME B1.20.1*
- ❑ Hidrostatik Test / *Hydrostatic Test : API 598*
- ❑ Gövde Malzemesi / *Body Material A105, AISI 316*
- ❑ Kol Kumandalı / *Lever Operated*

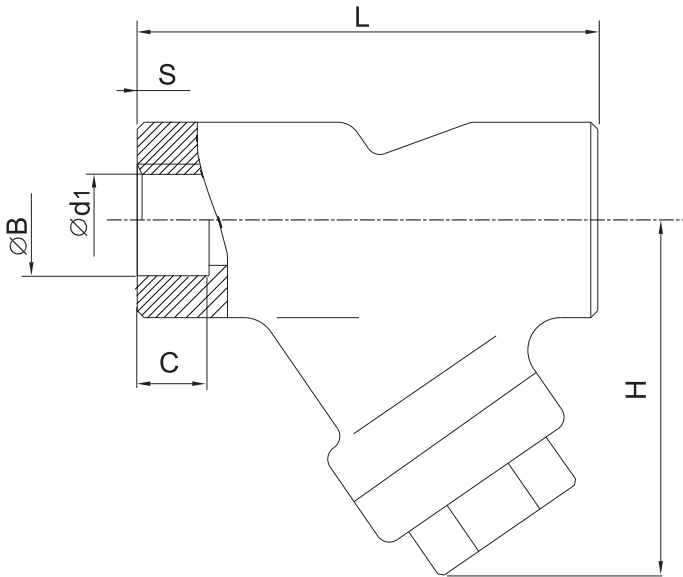

 Boyutlar / *Dimensions (mm)*
CLASS 800

DN	INCH	L*	H	W	Soket Ucu / <i>Socketed Weld</i>		Dişli / <i>Threaded</i>		Kg
					B	C	d1 (NPT)	S	
15	1/2"	73	62	130	21.70 - 21.95	10	1/2"	13,5	1,3
20	3/4"	97	73	160	27.05 - 27.30	13	3/4"	14	2,2
25	1"	105	90	220	33.80 - 34.05	13	1"	17,5	3,5
32	1 1/4"	130	102	250	42.55 - 42.80	13	1 1/4"	18	6,5
40	1 1/2"	133	102	250	48.65 - 48.90	13	1 1/2"	18,5	6,5
50	2"	148	115	300	61.10 - 61.35	16	2"	19	11

* Üretici firma "L" ölçüsünü müşterisinin bilgisi dışında değiştirebilir.
 * Manufacturer can change measure "L" length without customer's knowledge

Figür / Figure G78DA

- ❑ Soket Bağlantılı / *Socket Weld (SW) : ASME B16.11*
- ❑ Dişli Bağlantılı / *Threaded (NPT) : ASME B1.20.1*
- ❑ Hidrostatik Test / *Hydrostatic Test : API 598*
- ❑ Gövde Malzemesi / *Body Material A105, AISI 316*
- ❑ Değişebilir Filtreli / *Renewable Strainer*



Boyutlar / Dimensions (mm)

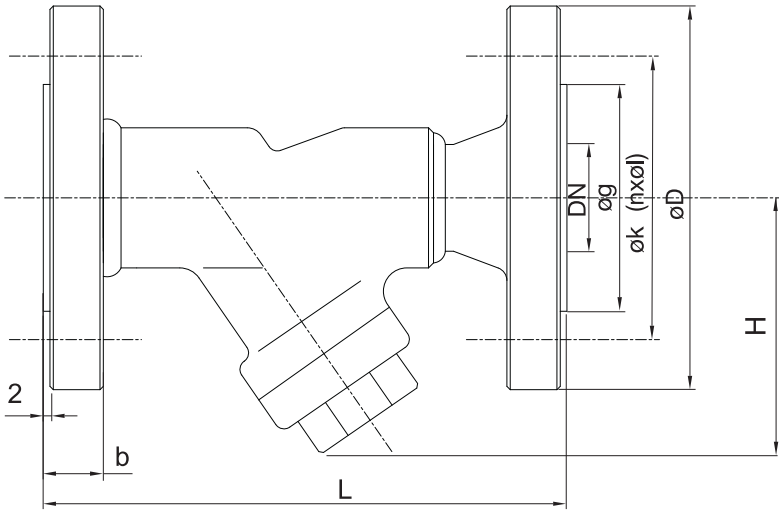
CLASS 800

DN	INCH	L*	H	Soket Ucu / Socked Weld		Dişli / Threaded		Kg
				B	C	d1 (NPT)	S	
15	1/2"	98	100	21.70 - 21.95	10	1/2"	13.5	2,1
20	3/4"	98	100	27.05 - 27.30	13	3/4"	14	4,2
25	1"	120	120	33.80 - 34.05	13	1"	17.5	8,9
40	1 1/2"	140	140	48.65 - 48.90	13	1 1/2"	18,5	10
50	2"	170	170	61.10 - 61.35	16	2"	19	18

* Üretici firma "L" ölçüsünü müşterisinin bilgisi dışında değiştirebilir.
 Manufacturer can change measure "L" length without customer's knowledge

Figür / Figure G70DA, G72DA, G73DA

- ❑ Flanşlı Bağlantılı / Flanged Ends (FLGD) : ASME B16.5
- ❑ Uçtan Uca Boyutlar / Face to Face : DIN EN 558-1
- ❑ Hidrostatik Test / Hydrostatic Test : API 598
- ❑ Cıvatalı Kapaklı / Bolted Bonnet (BB)
- ❑ Yükseltilmiş Yüzeyle / Raised Face (RF)
- ❑ Değişebilir Filtreli / Renewable Strainer



Boyutlar / Dimensions (mm)

CLASS 150
Figür / Figure G70DA

DN	INC	øD	b	øg	øk	n	øl	L	H	Kg
15	1/2"	90	11.2	35	60.3	4	16	130	100	3,7
20	3/4"	100	12.7	43	69.9	4	16	150	100	6
25	1"	110	14.3	50.8	79.4	4	16	160	120	11
40	1 1/2"	125	14.3	73	98.4	4	16	200	140	13

CLASS 300
Figür / Figure G72DA

DN	INC	øD	b	øg	øk	n	øl	L	H	Kg
15	1/2"	95	14.3	35	66.7	4	16	165	100	4
20	3/4"	115	15.8	43	82.6	4	19	190	100	7
25	1"	125	17.6	50.8	88.9	4	19	216	120	12
40	1 1/2"	155	20.6	73	114.3	4	22	241	140	14

CLASS 600
Figür / Figure G73DA

DN	INC	øD	b	øg	øk	n	øl	L	H	Kg
15	1/2"	95	20.6	35	66.7	4	16	165	100	5
20	3/4"	115	22.2	43	82.6	4	19	190	100	7,5
25	1"	125	23.9	50.8	88.9	4	19	216	120	13
40	1 1/2"	155	28.8	73	114.3	4	22	241	140	17

2" ve üstü ölçülerdeki pislik tutucular "strainer" kataloğunda yer almaktadır.
2" and above dimensions are in "strainers" catog.



Ceketli Gate Valf
Jacketted Gate Valve



Conduit Gate valf
Conduit Gate Valve



Kaynak Uçlu Globe Valf
Welding End Globe Valve



Dikey Check Valf
Vertical and Lift Check Valve



Yay Baskılı Emniyet Valfi
Spring Loaded Safety Valve



Yangın Devreleri İçin Küresel Vana
Ball Valve For The Fire Line



Çift Küreli Vantuz (Hava Valfi)
Double Ball Air Valve



Tek Küreli Vantuz (Hava Valfi)
Single Ball Air Valve



Yüzer Tip Check Valfi
Wafer Type Check Valve



Pislik tutucu / Strainer - Basket Type



Pislik tutucu / Strainer - Y-Type

1989'den BERİ
SINCE 1989



GELİŞİM®
VALF ve MAKİNA SAN. TİC. LTD. ŞTİ.

Mescit Mahallesi Demokrasi Cad. Birnes Sanayi Sitesi D.3 Blok
ORHANLI / TUZLA / İSTANBUL / TURKEY

Tel: +90 216 - 394 08 01 - 394 08 02 - 394 05 80 - 394 05 81

Fax: +90 216 - 394 08 42

www.gelisimvalf.com.tr e-mail : bilgi@gelisimvana.com



ISO 9001



TS EN 13942



1785



AUSTRIA
ISO 10407



KOSGEB

www.kosgeb.gov.tr

Baskı Tarihi: 20 / 9 / 2017

Baskı Yeri: Sabancı Tasarım
(Ali Sabancı)

NACE MR0175

Bu broşürün yayın hakkı, GELİŞİM valfi'e aittir.
Broşürün hiçbir bölümü değiştirilemez, alıntı yapılamaz,
GELİŞİM valfin izni olmadan broşürün hiç bir bölümü mekanik,
elektronik, fotokopi vb. yollarla kopya edilemez, kullanılamaz.